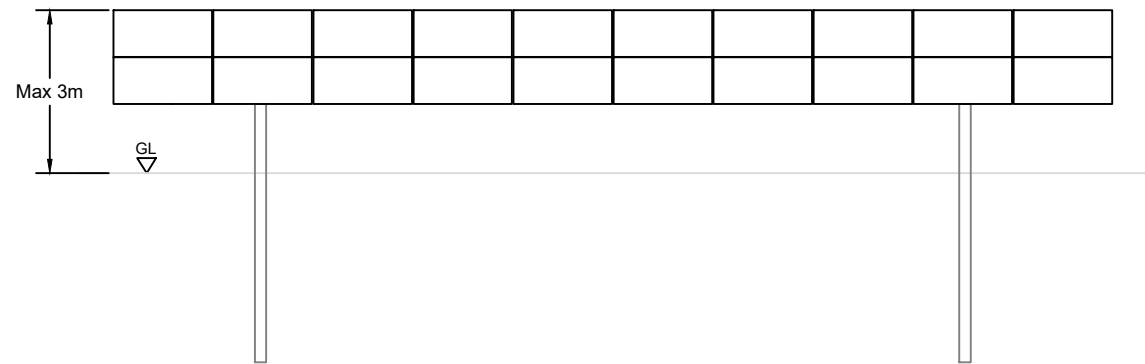
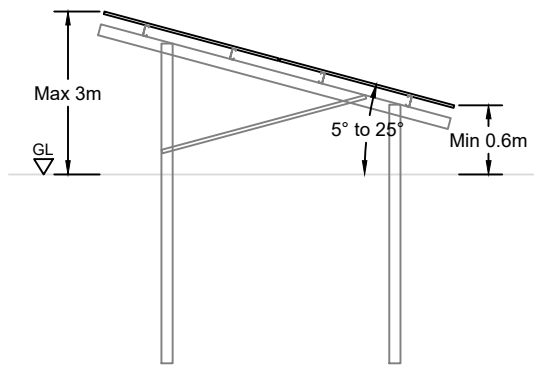


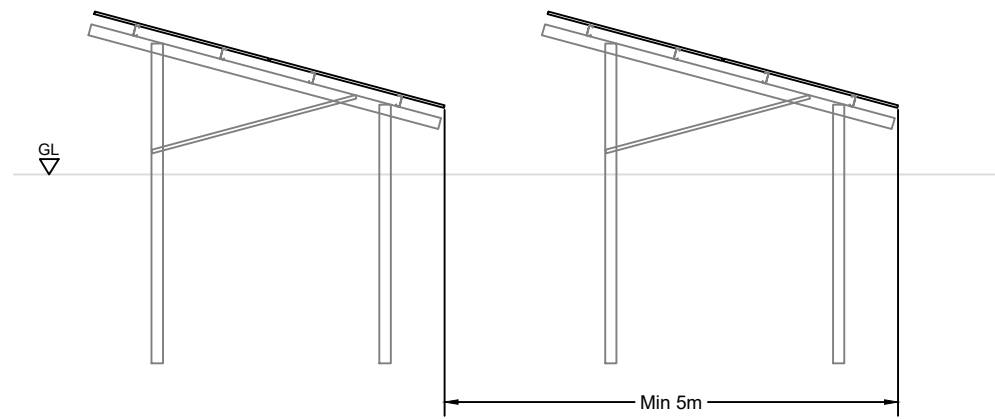
Front View



Section View



Side Elevation



Notes:

- All dimensions are indicative only and may be updated in final design.

Ver.	Date	Comments
A	24/02/2025	



Naas Office: T:00353 (0)45 844250 E: info@neo-environmental.ie  
 Glasgow Office: T: 0141 773 6262 E: info@neo-environmental.co.uk  
 Warrington Office: T:01925 661716 E: info@neo-environmental.co.uk  
 Ballymena Office: T:0282 565 0413 E: info@neo-environmental.co.uk

<b>Project:</b>	Glyn Taff Solar Farm
<b>Client:</b>	Renantis UK Limited
<b>Drawing:</b>	PV Module & Rack Detail (Figure 8)
<b>Project No.:</b>	NEO01437
<b>Drawing No.:</b>	NEO01437_0581_A
<b>Drawn:</b>	JM
<b>Checked:</b>	MM
<b>Approved:</b>	PN
<b>Scale:</b>	1:100 @ A3
<b>Date:</b>	24 February 2025
<b>Revision:</b>	A