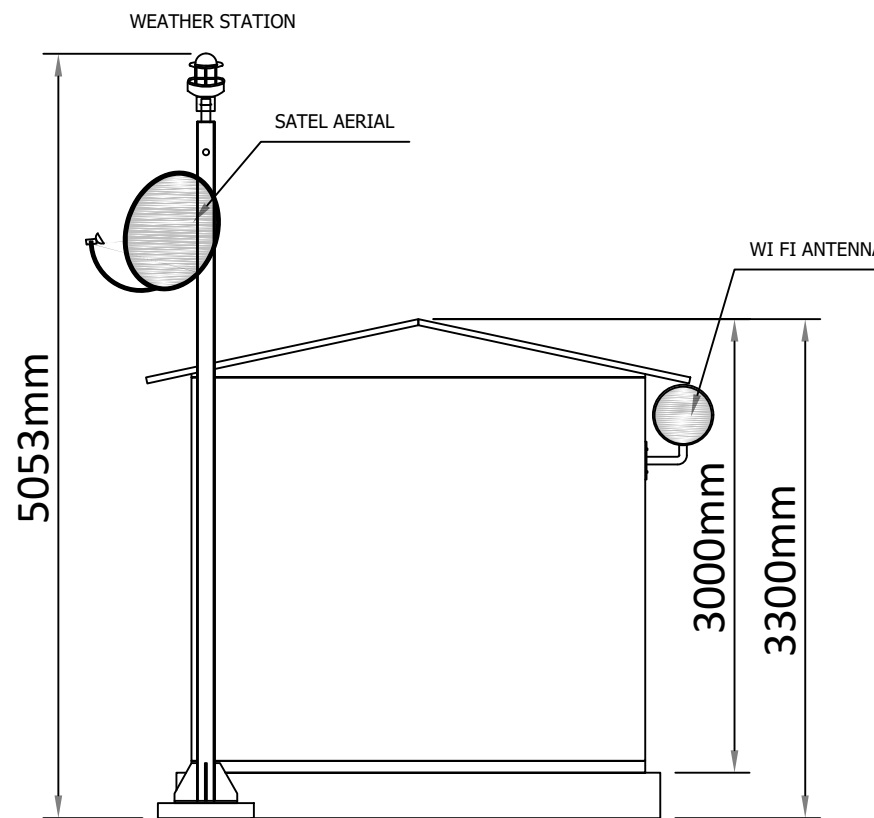
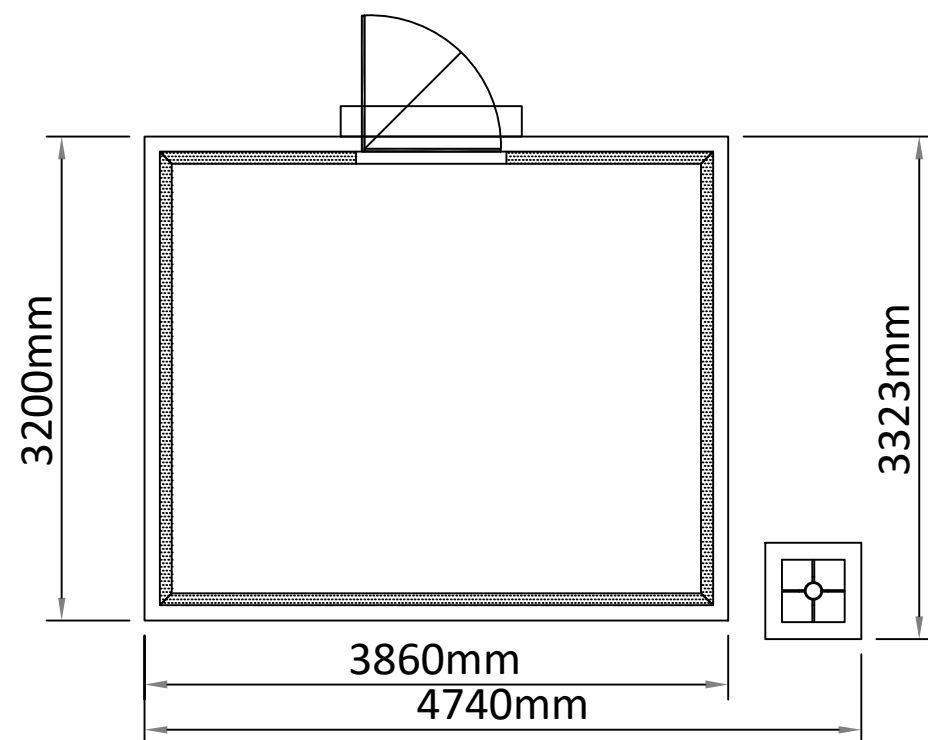


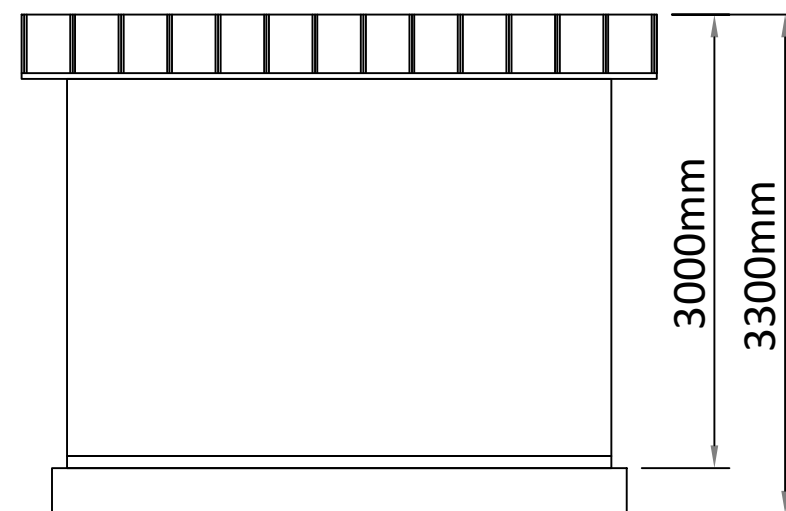
FRONT ELEVATION



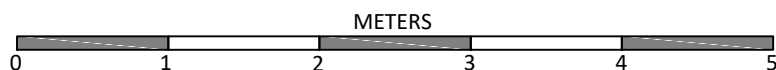
SIDE ELEVATION



FLOOR PLAN



BACK ELEVATION



© Neo Environmental Limited unless otherwise stated.
Do not scale from drawing- use dimensioned figures only

Notes:

- All dimensions are in meters unless otherwise stated.
- Details shown are typical and are subject to detailed design.
- All dimensions are approximate and subject to detailed design

Ver.	Date	Comments
A	25/02/2025	



Naas Office: T:00353 (0)45 844250 E: info@neo-environmental.ie

Glasgow Office: T: 0141 773 6262 E: info@neo-environmental.co.uk
Warrington Office: T:01925 661716 E: info@neo-environmental.co.uk
Ballymena Office: T:0282 565 0413 E: info@neo-environmental.co.uk

Project: Glyn Taff Solar Farm
Client: Renantis UK Ltd

Drawing: Typical Monitoring House Unit (Figure 14)

Project No.: NEO01437

Drawing No.: NEO01437_064I_A

Drawn: JM Checked: MM Approved: PN

Scale: 1:50 @ A3 Revision: A

Date: 25 February 2025