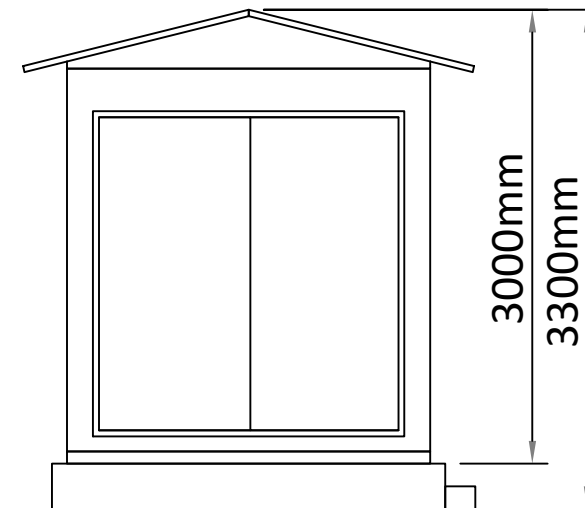
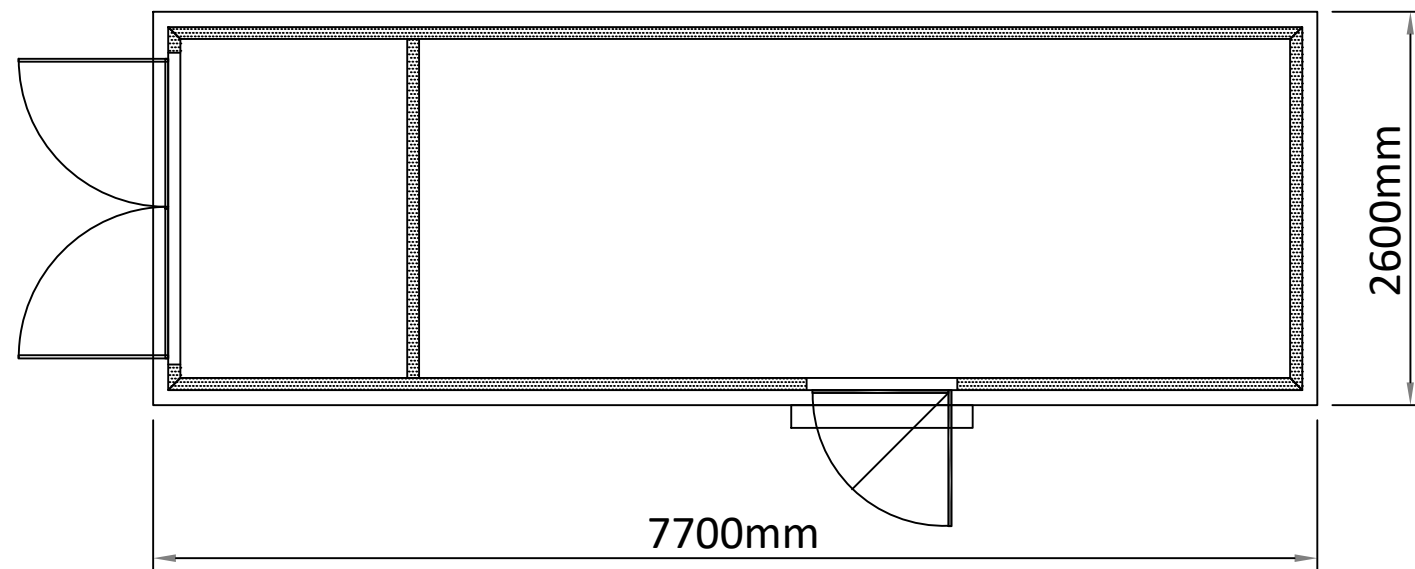


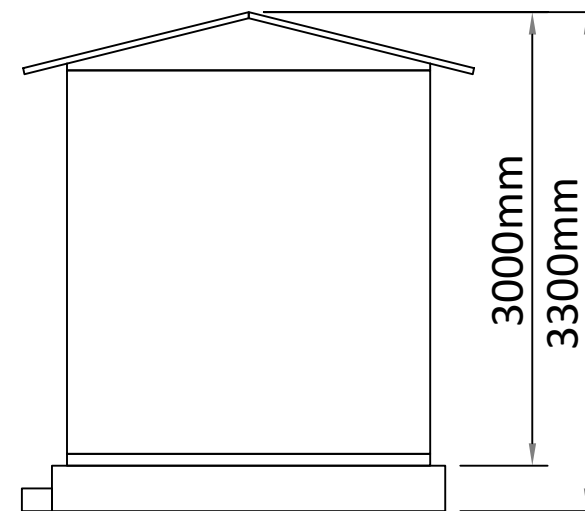
FRONT ELEVATION



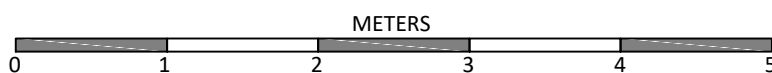
SIDE ELEVATION



FLOOR PLAN



SIDE ELEVATION



© Neo Environmental Limited unless otherwise stated.
Do not scale from drawing- use dimensioned figures only

Notes:

- All dimensions are in meters unless otherwise stated.
- Details shown are typical and are subject to detailed design.
- All dimensions are approximate and subject to detailed design

Ver.	Date	Comments
A	25/02/2025	



Naas Office: T:00353 (0)45 844250 E: info@neo-environmental.ie

Glasgow Office: T: 0141 773 6262 E: info@neo-environmental.co.uk
Warrington Office: T:01925 661716 E: info@neo-environmental.co.uk
Ballymena Office: T:0282 565 0413 E: info@neo-environmental.co.uk

Project:	Glyn Taff Solar Farm	
Client:	Renantis UK Ltd	
Drawing:	Typical Substation Unit (Figure 13)	
Project No.:	NEO01437	
Drawing No.:	NEO01437_063I_A	
Drawn: JM	Checked: MM	Approved: PN
Scale:	1:50 @ A3	Revision:
Date:	25 February 2025	A